



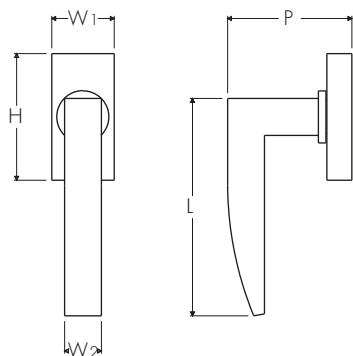
ATELIER BONOMI

Drehkipp per Finestra Serie Torino Torino Series Drehkipp Window Handle

Dimensioni Dimensions

	L	P	W 2	W 1	H
S	105	66	19,5	33	67
M	115	66	19,5	33	67
L	125	66	19,5	33	67

Dimensioni in millimetri
Dimensions given in millimeters



Fornito con meccanismo DK q.7x45mm e viti M5x50.
Disponibile in tutte le finiture standard.
Dimensioni e finiture su misura disponibili su richiesta.
Regularly furnished with DK mechanism q.7x45mm and M5x50 screws.
Additional sizes available by special order. Available in standard and custom finishes.